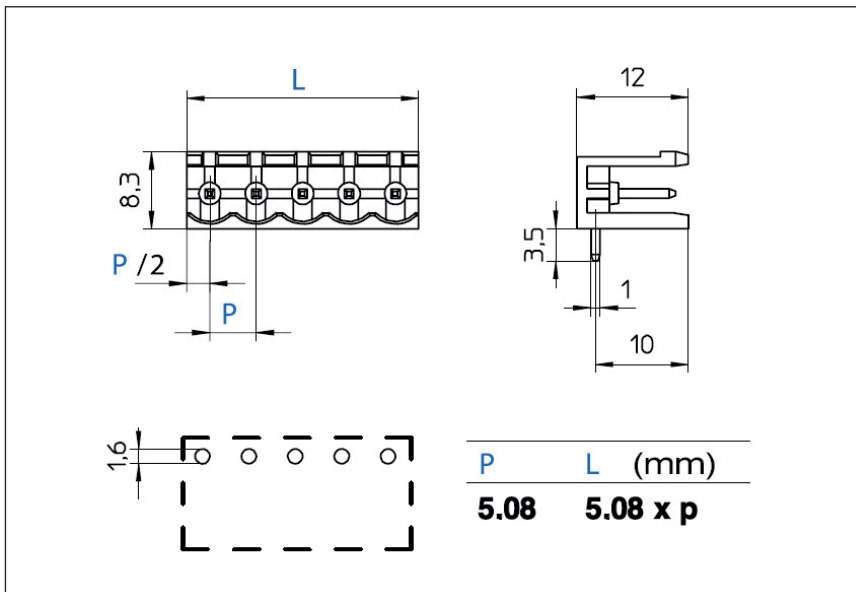


Standard Pluggable PCB Terminal Block, Horizontal Header, Open End CPM5.08-SQA

The CPM family of printed circuit board headers is used with the CPF and MRT3 pluggable terminal blocks. The CPM is available in both a vertical and 90 degree version and with either open or closed ends. A feature of the CPM header is the molded-in polarization that insures proper mating of the plug. The CPM headers are available in 2 to 24 positions and have a UL rating of 12 amps, 300 volts. The standard color is green, however other colors are available upon request.

SPECIFICATIONS

Housing Material:	PA68 Polyamide, Flammable UL94V0
Housing Color:	Green
Pin:	Tin Plated Brass
PCB Mounting Hole:	1.6 mm
Nominal Current:	12A
Voltage:	300V
Temperature Range:	-30° C to 85° C



Item	No. of Poles	Length (mm)
CPM5.08-SQA	2	10.16
CPM5.08-SQA	3	15.24
CPM5.08-SQA	4	20.32
CPM5.08-SQA	5	25.40
CPM5.08-SQA	6	30.48
CPM5.08-SQA	7	35.56
CPM5.08-SQA	8	40.64
CPM5.08-SQA	9	45.72
CPM5.08-SQA	10	50.80
CPM5.08-SQA	11	55.88
CPM5.08-SQA	12	60.96
CPM5.08-SQA	13	66.04
CPM5.08-SQA	14	71.12
CPM5.08-SQA	15	76.20
CPM5.08-SQA	16	81.28
CPM5.08-SQA	17	86.36
CPM5.08-SQA	18	91.44
CPM5.08-SQA	19	96.52
CPM5.08-SQA	20	101.60
CPM5.08-SQA	21	106.68
CPM5.08-SQA	22	111.76
CPM5.08-SQA	23	116.84
CPM5.08-SQA	24	121.92